



Proudly Distributed By

TRIDENT AUSTRALIA
FLUID SYSTEMS & COMPONENTS

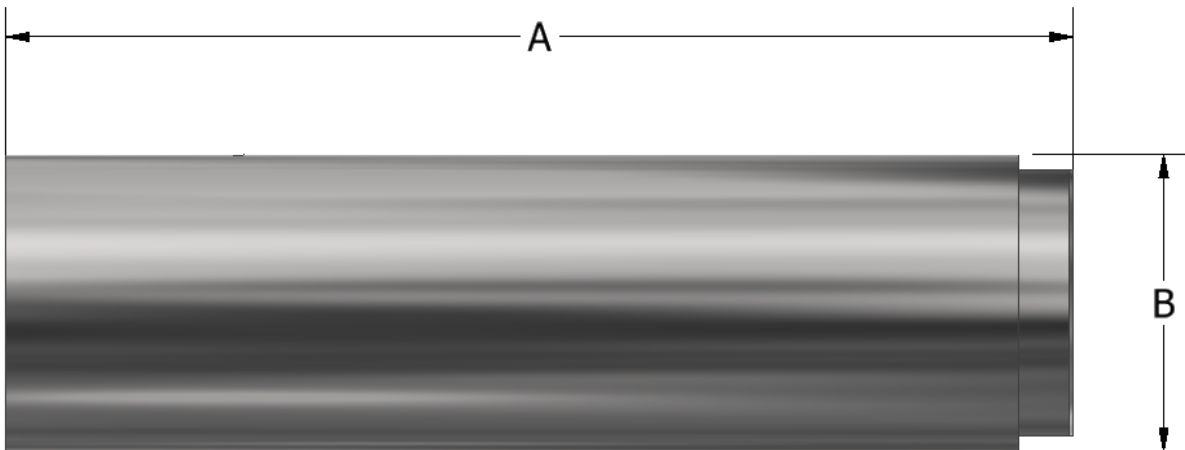
OPERATION

The Ruelco RA-2 Spring Accumulator is designed to provide an independent energy source for any low-pressure application. The 316 stainless steel construction allows for high corrosion resistance in harsh environments. The honed bore and wear ring allow for a smooth stroke, maximizing the total amount of life cycles. The simple design of the RA-2 can be disassembled and cleaned without the need for special tools.

FEATURES

- Stainless steel construction (N.A.C.E. model available)
- Precision honed bore to increase lifespan
- T-seal and back-ring piston assembly
- Spring allows for reliable charge
- Simple operation allows for easy maintenance

3,000 PSI 6 CU IN SPRING ACCUMULATOR



DIMENSIONS

A	8.00" (203 mm)
B	2.37" (60.2 mm)
INLET CONNECTION SIZE	1/4" NPT

PHONE: 504-340-0055
FAX: 504-340-0056
EMAIL: SALES@RUELCO.COM

1209 DISTRIBUTORS ROW
NEW ORLEANS, LA 70123



Proudly Distributed By

TRIDENT AUSTRALIA
FLUID SYSTEMS & COMPONENTS

PARTS LIST

ITEM	QUANTITY	DESCRIPTION	MATERIAL
1	1	BODY	316 ST. STL.
2	1	SPRING	SPRING WIRE
3*	1	PISTON	6061 -T6 AL
4*	1	WEAR RING	NYLON
5*	1	PISTON T-SEAL W/ BACK UPS	NITRILE
6*	1	O-RING	NITRILE
7*	1	BACK UP SEAL	TEFLON
8	1	CAP	316 ST. STL.

* INDICATES ITEMS IN THE REPAIR KIT

SPECIFICATIONS

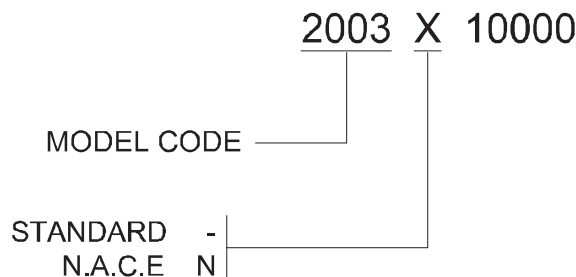
MAXIMUM WORKING PRESSURE	3,000 PSI (207 BAR)
FLUID CAPACITY	6 CU IN (98.3 CU CM)
AMBIENT TEMPERATURE RANGE	-20 TO 200° F -29 TO 93.3° C
PRESSURE TO FULLY OPEN	140 PSI (9.8 KG/CM)

REPAIR KIT

- 20-104-000

OTHER TEMPERATURE RANGES AND SEAL COMPOUNDS AVAILABLE UPON REQUEST

ORDERING CODE



PHONE: 504-340-0055
FAX: 504-340-0056
EMAIL: SALES@RUELCO.COM

1209 DISTRIBUTORS ROW
NEW ORLEANS, LA 70123

3,000 PSI & 6 CU IN SPRING ACCUMULATOR



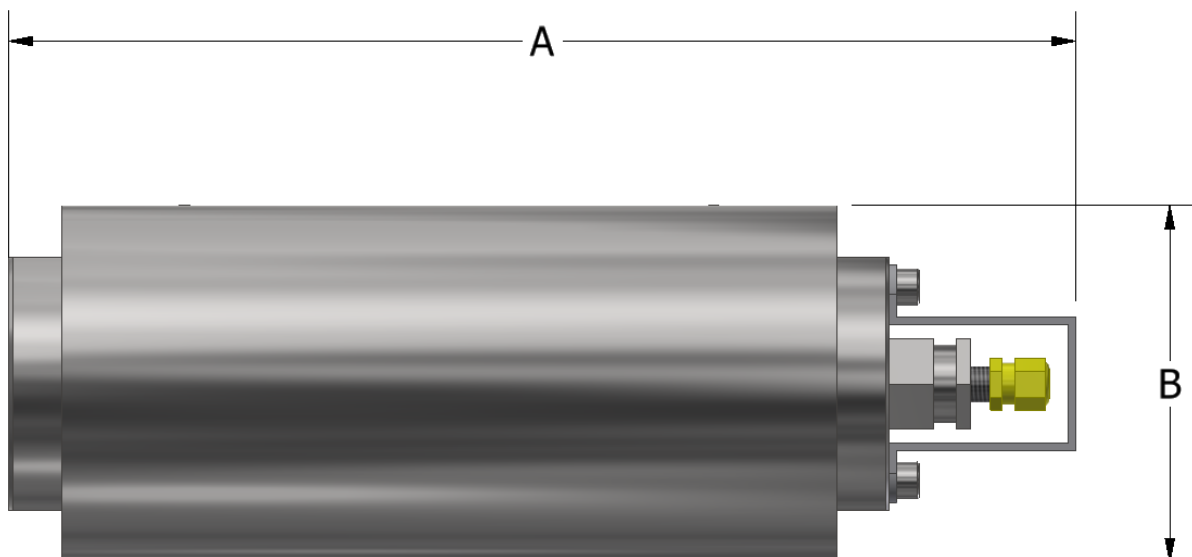
OPERATION

The Ruelco RA-5 is a piston type accumulator that provides a mean for regulating the performance of a hydraulic system. It is suitable for storing hydraulic energy under high pressure, absorbing hydraulic shocks and dampening pump pulsation and flow fluctuations. The 316 stainless steel construction allows for high corrosion resistance in harsh environments. The honed bore and wear ring allow for a smooth stroke, maximizing the total life cycle. The simple design also allows the RA-5 to be disassembled and cleaned without the need for any special tools.

FEATURES

- 316 stainless steel construction (N.A.C.E. Model Available)
- Precision honed bore to increase lifespan
- T-seal and back-up ring piston assembly
- Schrader valve allows safe charge and discharge
- Simple operation facilitates maintenance

ST. STL. 5,000 PSI 6 CU IN GAS ACCUMULATOR



DIMENSIONS

A	8.88" (225 mm)
B	3.00" (76.2 mm)
HYDRAULIC PORT SIZE	1/4" FNPT
WEIGHT	11.6 LBS (5.26 kg)

PHONE: 504-340-0055
FAX: 504-340-0056
EMAIL: SALES@RUELCO.COM

1209 DISTRIBUTORS ROW
NEW ORLEANS, LA 70123



Proudly Distributed By

TRIDENT AUSTRALIA
FLUID SYSTEMS & COMPONENTS

PARTS LIST

ITEM	QTY.	DESCRIPTION	MATERIAL
1	1	GAS VALVE PROTECTOR	316 ST. STL.
2	1	GAS VALVE W/ CAP	316 ST. STL.
3	2	SOCKET HEAD SCREW	316 ST. STL.
4*	1	O-RING	NITRILE
5	1	GAS CAP	316 ST. STL.
6	1	BODY	17-4 ST. STL.
7	1	PISTON	6061-T6 AL
8*	1	WEAR RING	NYLON
9*	1	PISTON T-SEAL W/ BACK UPS	NITRILE
10*	2	O-RING	NITRILE
11*	2	BACK UP SEAL	TEFLON
12	1	FLUID CAP	316 ST. STL.

* INDICATES ITEMS IN THE REPAIR KIT

SPECIFICATIONS

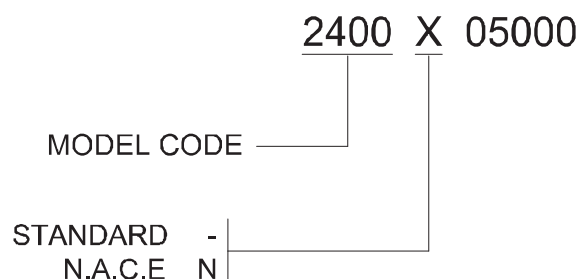
MAXIMUM WORKING PRESSURE	5,000 PSI (345 BAR)
FLUID CAPACITY	6 CU IN (98.3 CUBIC CM)
AMBIENT TEMPERATURE RANGE	-20 TO 200° F -29 TO 93.3° C
GAS VALVE INSTALLATION TORQUE	120 IN -LBS

REPAIR KIT

- 20-204-000

OTHER TEMPERATURE RANGES AND SEAL COMPOUNDS AVAILABLE UPON REQUEST

ORDERING CODE



PHONE: 504-340-0055
FAX: 504-340-0056
EMAIL: SALES@RUELCO.COM

1209 DISTRIBUTORS ROW
NEW ORLEANS, LA 70123

ST. STL. 5,000 PSI 6 CU IN GAS ACCUMULATOR



Proudly Distributed By

TRIDENT AUSTRALIA
FLUID SYSTEMS & COMPONENTS

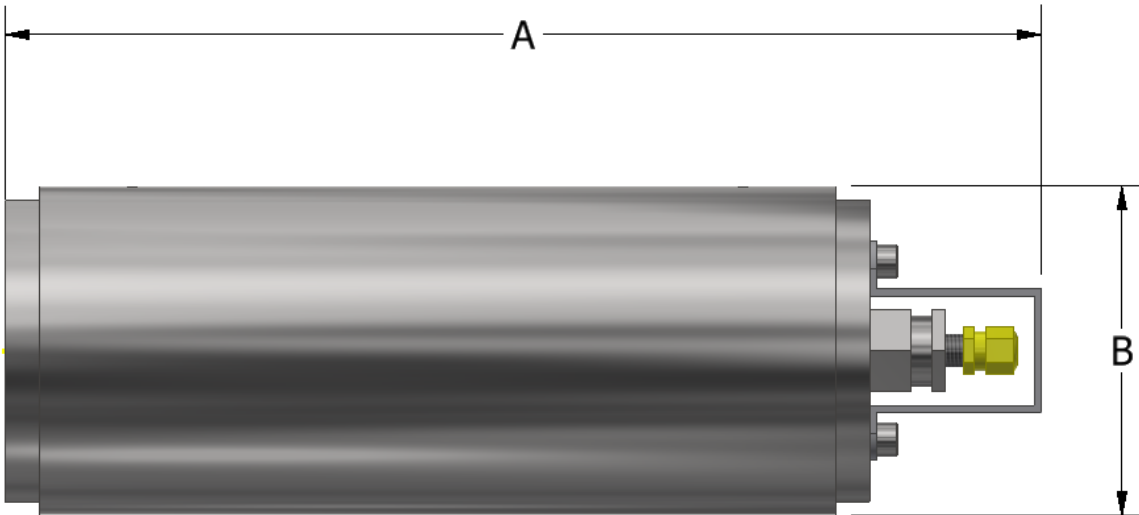
OPERATION

The Ruelco RA-5 is a piston type accumulator that provides a mean for regulating the performance of a hydraulic system. It is suitable for storing hydraulic energy under high pressure, absorbing hydraulic shocks and dampening pump pulsation and flow fluctuations. The stainless steel construction allows for high corrosion resistance in harsh environments. The honed bore and wear ring allow for a smooth stroke, maximizing the total life cycle. The simple design also allows the RA-5 to be disassembled and cleaned without the need for any special tools.

FEATURES

- Stainless steel construction (N.A.C.E. model available)
- Precision honed bore to increase lifespan
- T-seal and back-up ring piston assembly
- Schrader valve allows safe charge and discharge
- Simple operation facilitates maintenance

ST. ST. 5,000 PSI 16 CU IN GAS ACCUMULATOR



DIMENSIONS

A	9.45" (240 mm)
B	3.00" (76.2 mm)
HYDRAULIC PORT SIZE	1/4" FNPT
WEIGHT	9.6 LBS (4.35 kg)

PHONE: 504-340-0055
FAX: 504-340-0056
EMAIL: SALES@RUELCO.COM

1209 DISTRIBUTORS ROW
NEW ORLEANS, LA 70123



Proudly Distributed By

TRIDENT AUSTRALIA
FLUID SYSTEMS & COMPONENTS

PARTS LIST

ITEM	QUANTITY	DESCRIPTION	MATERIAL
1	1	GAS VALVE PROTECTOR	316 ST. STL.
2	1	GAS VALVE W/ CAP	316 ST. STL.
3	2	SOCKET HEAD SCREW	316 ST. STL.
4*	1	O-RING	NITRILE
5	1	GAS CAP	316 ST. STL.
6	1	BODY	17-4 ST. STL.
7	1	PISTON	6061-T6 AL
8*	1	WEAR RING	NYLON
9*	1	PISTON T-SEAL W/ BACK UPS	NITRILE
10*	2	O-RING	NITRILE
11*	2	BACK UP SEAL	TEFLON
12	1	FLUID CAP	316 ST. STL.

* INDICATES ITEMS IN THE REPAIR KIT

SPECIFICATIONS

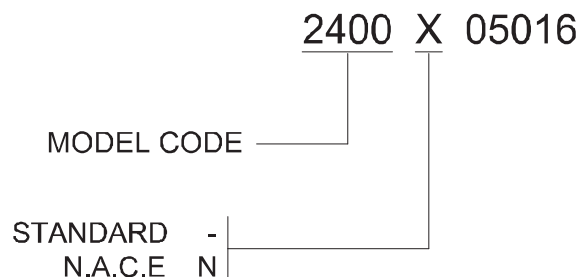
MAXIMUM WORKING PRESSURE	5,000 PSI (345 BAR)
FLUID CAPACITY	16 CU IN (262 CU CM)
AMBIENT TEMPERATURE RANGE	-20 TO 200° F -29 TO 93.3° C
GAS VALVE INSTALLATION TORQUE	120 IN -LBS

REPAIR KIT

- 20-214-000

OTHER TEMPERATURE RANGES AND SEAL COMPOUNDS AVAILABLE UPON REQUEST

ORDERING CODE



PHONE: 504-340-0055
FAX: 504-340-0056
EMAIL: SALES@RUELCO.COM

1209 DISTRIBUTORS ROW
NEW ORLEANS, LA 70123

ST. STL. 5,000 PSI 16 CU IN GAS ACCUMULATOR



Proudly Distributed By

TRIDENT AUSTRALIA
FLUID SYSTEMS & COMPONENTS

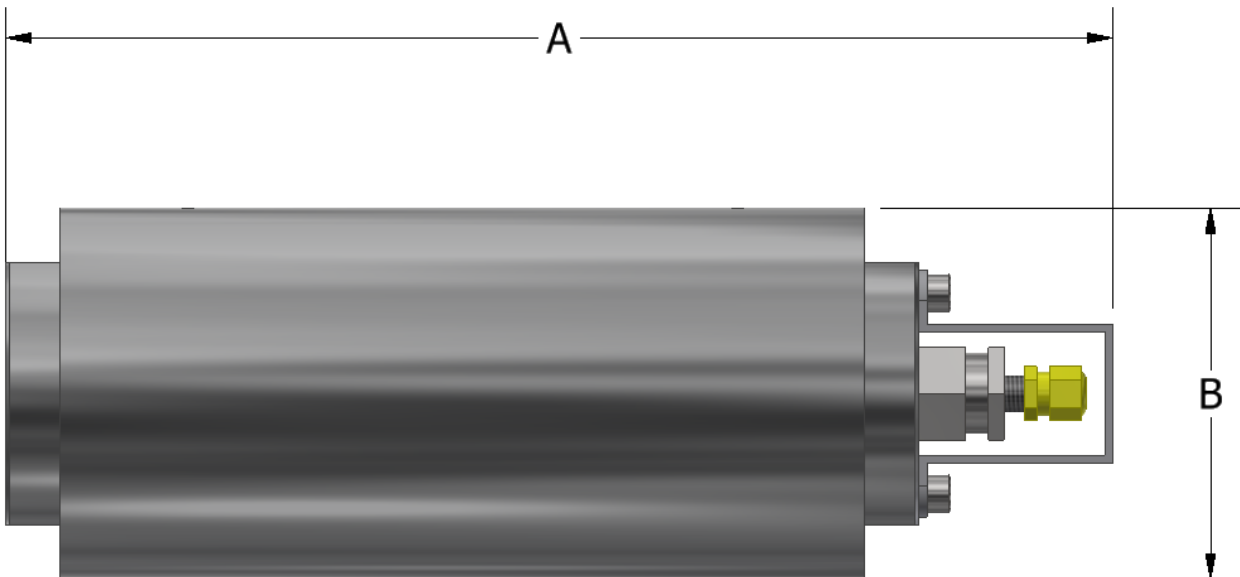
OPERATION

The Ruelco RA-5L is a piston type accumulator that provides a mean for regulating the performance of a hydraulic system. It is suitable for storing hydraulic energy under high pressure, absorbing hydraulic shocks and dampening pump pulsation and flow fluctuations. The anodized aircraft grade aluminum construction allows for high corrosion resistance in harsh environments. The honed bore and wear ring allow for a smooth stroke, maximizing the total life cycle. The simple design also allows the RA-5L to be disassembled and cleaned without the need for any special tools.

FEATURES

- 6061-T6 aircraft grade aluminum
- Lightweight design
- Precision honed bore to increase lifespan
- T-seal and back-up ring piston assembly
- Schrader valve allows safe charge and discharge
- Simple operation facilitates maintenance

5,000 PSI 6 CU IN GAS ACCUMULATOR



DIMENSIONS

A	8.88" (225 mm)
B	3.00" (76.2 mm)
HYDRAULIC PORT SIZE	1/4" FNPT
WEIGHT	4.27 LBS (1.994 kg)

PHONE: 504-340-0055
FAX: 504-340-0056
EMAIL: SALES@RUELCO.COM

1209 DISTRIBUTORS ROW
NEW ORLEANS, LA 70123



Proudly Distributed By

TRIDENT AUSTRALIA
FLUID SYSTEMS & COMPONENTS

PARTS LIST

ITEM	QUANTITY	DESCRIPTION	MATERIAL
1	1	GAS VALVE PROTECTOR	316 ST. STL.
2	1	GAS VALVE W/ CAP	316 ST. STL.
3	2	SOCKET HEAD SCREW	316 ST. STL.
4*	1	O-RING	NITRILE
5	1	GAS CAP	6061-T6 AL
6	1	BODY	6061-T6 AL
7	1	PISTON	6061-T6 AL
8*	1	WEAR RING	NYLON
9*	1	PISTON T-SEAL W/ BACK UPS	NITRILE
10*	2	O-RING	NITRILE
11*	2	BACK UP SEAL	TEFLON
12	1	FLUID CAP	6061-T6 AL

* INDICATES ITEMS IN THE REPAIR KIT

SPECIFICATIONS

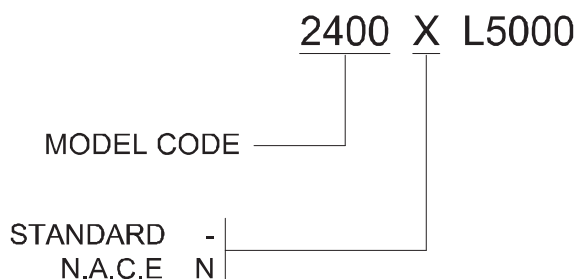
MAXIMUM WORKING PRESSURE	5,000 PSI (345 BAR)
FLUID CAPACITY	6 CU IN (98.3 CU CM)
AMBIENT TEMPERATURE RANGE	-20 TO 180° F -29 TO 82° C
GAS VALVE INSTALLATION TORQUE	120 IN -LBS

REPAIR KIT

- 20-204-000

OTHER TEMPERATURE RANGES AND SEAL COMPOUNDS AVAILABLE UPON REQUEST

ORDERING CODE



PHONE: 504-340-0055
FAX: 504-340-0056
EMAIL: SALES@RUELCO.COM

1209 DISTRIBUTORS ROW
NEW ORLEANS, LA 70123

5,000 PSI & 6 CU IN GAS ACCUMULATOR



Proudly Distributed By

TRIDENT AUSTRALIA
FLUID SYSTEMS & COMPONENTS

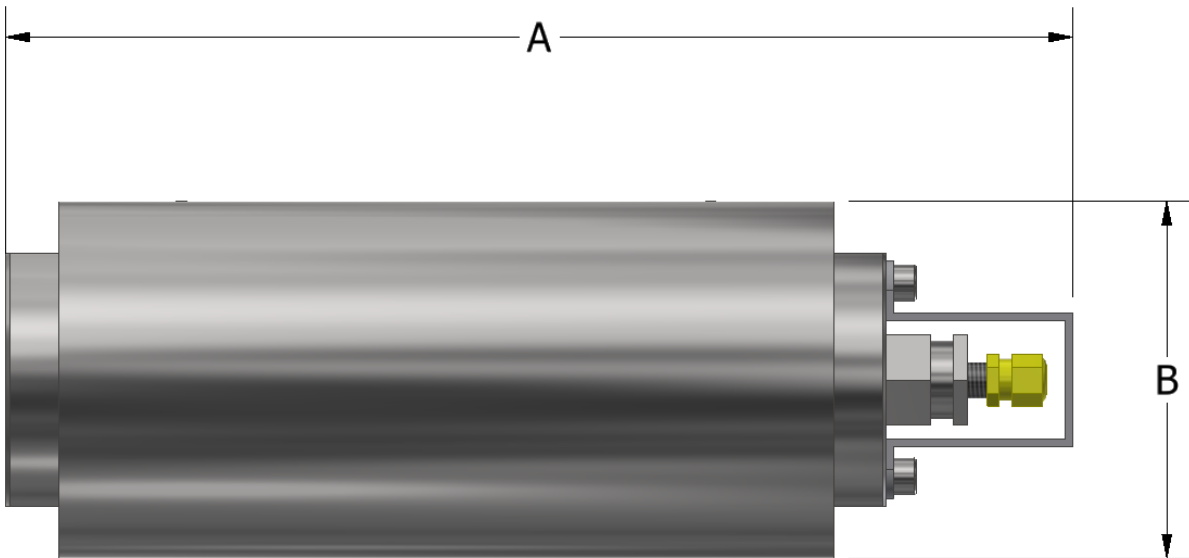
OPERATION

The Ruelco RA-10 is a piston type accumulator that provides a means for regulating the performance of a hydraulic system. It is suitable for storing hydraulic energy under high pressure, absorbing hydraulic shocks and dampening pump pulsation and flow fluctuations. The 316 stainless steel construction allows for high corrosion resistance in harsh environments. The honed bore and wear ring allow for a smooth stroke, maximizing the total life cycle. The simple design also allows the RA-10 to be disassembled and cleaned without the need for any special tools.

FEATURES

- 316 stainless steel construction (N.A.C.E. model available)
- Precision honed bore to increase lifespan
- T-seal and back-up ring piston assembly
- Schrader valve allows safe charge and discharge
- Simple operation facilitates maintenance

ST. ST. 10,000 PSI & CU IN GAS ACCUMULATOR



DIMENSIONS

A	8.88" (225 mm)
B	3.00" (76.2 mm)
HYDRAULIC PORT SIZE	1/4" FNPT
WEIGHT	11.6 LBS (5.26 kg)

PHONE: 504-340-0055
FAX: 504-340-0056
EMAIL: SALES@RUELCO.COM

1209 DISTRIBUTORS ROW
NEW ORLEANS, LA 70123



Proudly Distributed By

TRIDENT AUSTRALIA
FLUID SYSTEMS & COMPONENTS

PARTS LIST

ITEM	QUANTITY	DESCRIPTION	MATERIAL
1	1	GAS VALVE PROTECTOR	316 ST. STL.
2	1	GAS VALVE W/ CAP	316 ST. STL.
3	2	SOCKET HEAD SCREW	316 ST. STL.
4*	1	O-RING	NITRILE
5	1	GAS CAP	316 ST. STL.
6	1	BODY	316 ST. STL.
7	1	PISTON	6061-T6 AL
8*	1	WEAR RING	PEEK
9*	1	PISTON T-SEAL W/ BACK UPS	NITRILE
10*	2	O-RING	NITRILE
11*	2	BACK UP SEAL	TEFLON
12	1	FLUID CAP	316 ST. STL.

* INDICATES ITEMS IN THE REPAIR KIT

SPECIFICATIONS

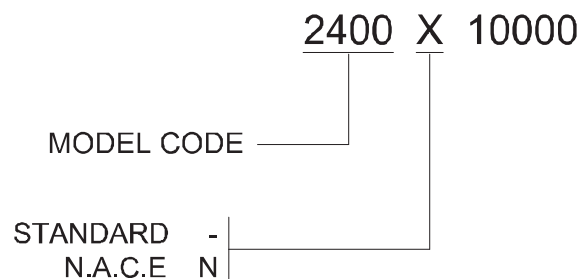
MAXIMUM WORKING PRESSURE	10,000 PSI (689.5 BAR)
FLUID CAPACITY	6 CU IN (98.3 CU CM)
AMBIENT TEMPERATURE RANGE	-20 TO 200° F -29 TO 93.3° C
GAS VALVE INSTALLATION TORQUE	120 IN. -LBS

REPAIR KIT

- 20-204-000

OTHER TEMPERATURE RANGES AND SEAL COMPOUNDS AVAILABLE UPON REQUEST

ORDERING CODE



PHONE: 504-340-0055
FAX: 504-340-0056
EMAIL: SALES@RUELCO.COM

1209 DISTRIBUTORS ROW
NEW ORLEANS, LA 70123

ST. STL. 10,000 PSI 6 CU IN GAS ACCUMULATOR